



LUMINAIRE TESTING LABORATORY, INC.

SUSTAINING MEMBER of the IESNA

905 Harrison Street · Allentown, PA 18103 · 610-770-1044 · Fax 610-770-8912 · www.LuminaireTesting.com

LTL NUMBER: 13213

DATE: 09-12-2008

PREPARED FOR: EB FLUORESCENT COMPANY, INC.

CATALOG NUMBER: VAP 2/86

LUMINAIRE: MOLDED PLASTIC AND FORMED STEEL HOUSING, FORMED WHITE ENAMEL

LAMPS: TWO 48 WATT T8 HIGH OUTPUT LINEAR FLUORESCENT LAMPS RATED AT 4000 LUMENS EACH.

LAMP CATALOG NUMBER: PHILIPS F48T8/HO/TL841

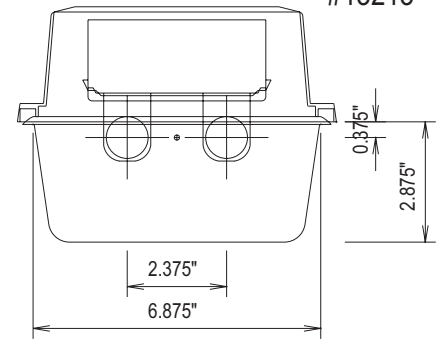
BALLAST: ONE UNIVERSAL LIGHTING TECHNOLOGIES B286I120RH

MOUNTING: SURFACE/PENDANT

NOTE: THIS TEST WAS PRORATED TO A TWO LAMP, EIGHT FOOT LUMINAIRE USING TWO PHILIPS F96T8/TL841/HO/ALTO LAMPS RATED AT 8200 LUMENS EACH. TEST REPORT WAS PRORATED USING MEASURED DATA FROM LTL TEST NUMBER 13211.

TOTAL AS TESTED INPUT WATTS = 72.1 AT 120.0 VOLTS
TOTAL PRORATED INPUT WATTS = 144.3 AT 120.0 VOLTS
THE 0 DEGREE PLANE IS PARALLEL WITH THE LAMPS.

#13213



CANDELA DISTRIBUTION

	0.0	22.5	45.0	67.5	90.0
0	2764	2764	2764	2764	2764
5	2750	2759	2764	2777	2784
15	2653	2697	2780	2838	2861
25	2463	2574	2719	2849	2898
35	2181	2349	2585	2772	2839
45	1801	2031	2333	2570	2657
55	1330	1618	1976	2300	2428
65	846	1170	1708	2184	2320
75	451	818	1447	1692	1760
85	152	449	804	1060	1147
90	50	271	542	770	849
95	66	174	351	534	605
105	52	97	146	200	235
115	21	60	105	101	99
125	6	26	73	87	85
135	0	7	41	62	67
145	0	0	16	32	37
155	0	0	0	9	12
165	0	0	0	0	0
175	0	0	0	0	0
180	0	0	0	0	0

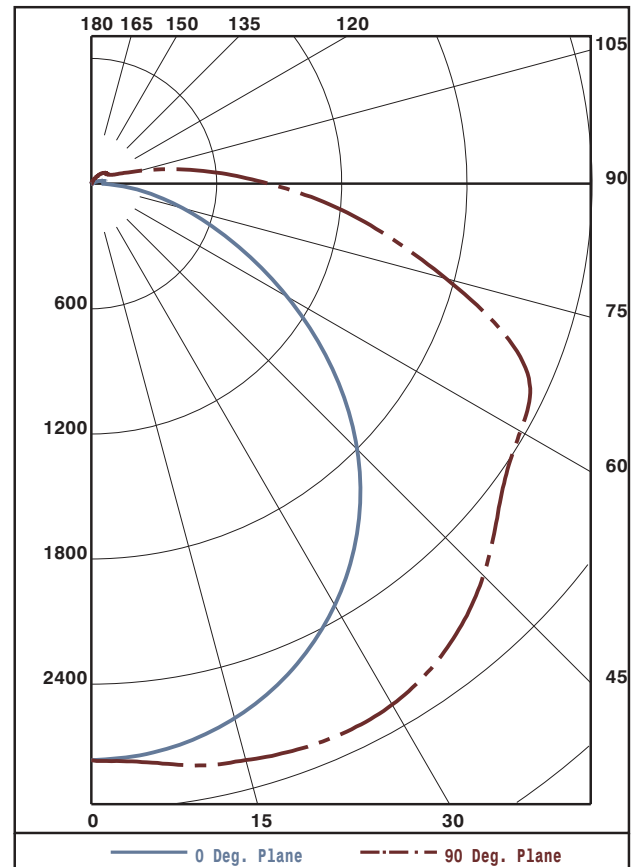
FLUX

264
784
1250
1600
1769
1744
1644
1335
811
385
161
82
52
28
11
2
0
0
0

ZONAL LUMEN SUMMARY

ZONE	LUMENS	%LAMP	%FIXT
0- 30	2298	14.0	19.3
0- 40	3898	23.8	32.7
0- 60	7411	45.2	62.2
0- 90	11200	68.3	94.0
90-120	628	3.8	5.3
90-130	681	4.1	5.7
90-150	719	4.4	6.0
90-180	721	4.4	6.0
0-180	11922	72.7	100.0

TOTAL LUMINAIRE EFFICIENCY: 72.7%
CIE TYPE: DIRECT
PLANE: 0-DEG 90-DEG
SPACING CRITERIA: 1.3 1.6



Approved By: MG



LUMINAIRE TESTING LABORATORY, INC.

SUSTAINING MEMBER of the IESNA

905 Harrison Street · Allentown, PA 18103 · 610-770-1044 · Fax 610-770-8912 · www.LuminaireTesting.com

LTL NUMBER: 13213

DATE: 09-12-2008

PREPARED FOR: EB FLUORESCENT COMPANY, INC.

COEFFICIENTS OF UTILIZATION - ZONAL CAVITY METHOD
EFFECTIVE FLOOR CAVITY REFLECTANCE 0.20

Table with columns RC, RW, and rows for angles 80, 70, 50, 30, 10, 0. Values range from 34 to 85.

PLANE: 0-DEG 90-DEG
LUMINOUS LENGTH: 99.500 7.250
HEIGHT OF SIDE: 2.875 2.875

Table with columns ANGLE IN DEG, AVERAGE 0-DEG, AVERAGE 45-DEG, AVERAGE 90-DEG. Values range from 2905 to 5938.



LUMINAIRE TESTING LABORATORY, INC.

SUSTAINING MEMBER of the IESNA

905 Harrison Street · Allentown, PA 18103 · 610-770-1044 · Fax 610-770-8912 · www.LuminaireTesting.com

LTL NUMBER: 13213
PREPARED FOR: EB FLUORESCENT COMPANY, INC.

DATE: 09-12-2008

CANDELA DISTRIBUTION

Table with 6 columns of candela values for various angles from 0 to 180 degrees.

ZONAL LUMEN SUMMARY

Table with 2 columns: Zonal angle ranges and corresponding lumen values.

THIS TEST WAS CONDUCTED USING RELATIVE PHOTOMETRY TECHNIQUES ACCORDING TO STANDARD IESNA PROCEDURES. THE USER MUST THEREFORE USE CAUTION IN THE FOLLOWING SITUATIONS: 1) THIS TEST WAS PERFORMED USING A SPECIFIC BALLAST/LAMP COMBINATION. EXTRAPOLATION OF THESE DATA FOR OTHER BALLAST/LAMP COMBINATIONS MAY PRODUCE ERRONEOUS RESULTS. 2) ACCORDING TO IESNA PROCEDURES, THE BALLAST(S) AND LAMP(S) ARE PRESUMED TO PRODUCE 100% OF RATED OUTPUT. AN APPROPRIATE BALLAST FACTOR MUST BE APPLIED TO THE LUMEN OUTPUT RATINGS AND LUMINOUS INTENSITY VALUES GIVEN. 3) THIS TEST WAS CONDUCTED IN A CONTROLLED LABORATORY ENVIRONMENT WHERE THE AMBIENT TEMPERATURE WAS HELD AT 25°C ±1°C. FIELD PERFORMANCE MAY DIFFER PARTICULARLY IN REGARDS TO CHANGE IN LUMINOUS OUTPUT AS A RESULT OF DIFFERENCE IN AMBIENT TEMPERATURE AND METHOD OF MOUNTING THE LUMINAIRE.