



# LUMINAIRE TESTING LABORATORY, INC.

SUSTAINING  
MEMBER  
of the  
IESNA

905 Harrison Street · Allentown, PA 18103 · 610-770-1044 · Fax 610-770-8912 · www.LuminaireTesting.com

LTL NUMBER: 13231

DATE: 09-12-2008

PREPARED FOR: EB FLUORESCENT COMPANY, INC.

CATALOG NUMBER: IN2/96 WHITE

LUMINAIRE: FORMED WHITE ENAMEL STEEL HOUSING, FORMED WHITE ENAMEL STEEL REFLECTOR, NO ENCLOSURE.

LAMPS: TWO 60 WATT T12 HIGH OUTPUT LINEAR FLUORESCENT LAMPS RATED AT 4050 LUMENS EACH.

LAMP CATALOG NUMBER: PHILIPS F48T12/CW/HO/ALTO

BALLAST: ONE KEYSTONE TECHNOLOGIES KTEB-2110-1-TP-PIC

MOUNTING: PENDANT

NOTE: THIS TEST REPORT WAS PRORATED TO A TWO LAMP, EIGHT FOOT LUMINAIRE USING TWO PHILIPS F96T12/CW/HO/EW/ALTO LAMPS RATED AT 8000 LUMENS EACH. TEST REPORT WAS PRORATED USING MEASURED DATA FROM LTL TEST NUMBER 13230.

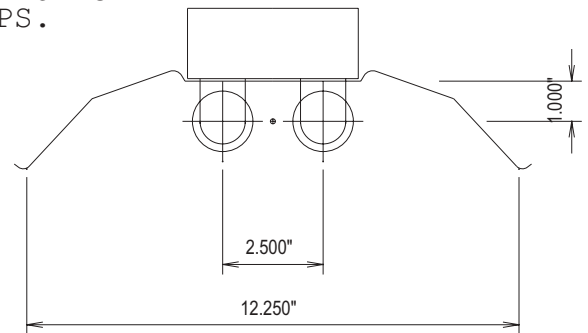
TOTAL AS TESTED INPUT WATTS = 111.2 AT 120.0 VOLTS

TOTAL PRORATED INPUT WATTS = 222.4 AT 120.0 VOLTS

THE 0 DEGREE PLANE IS PARALLEL WITH THE LAMPS.

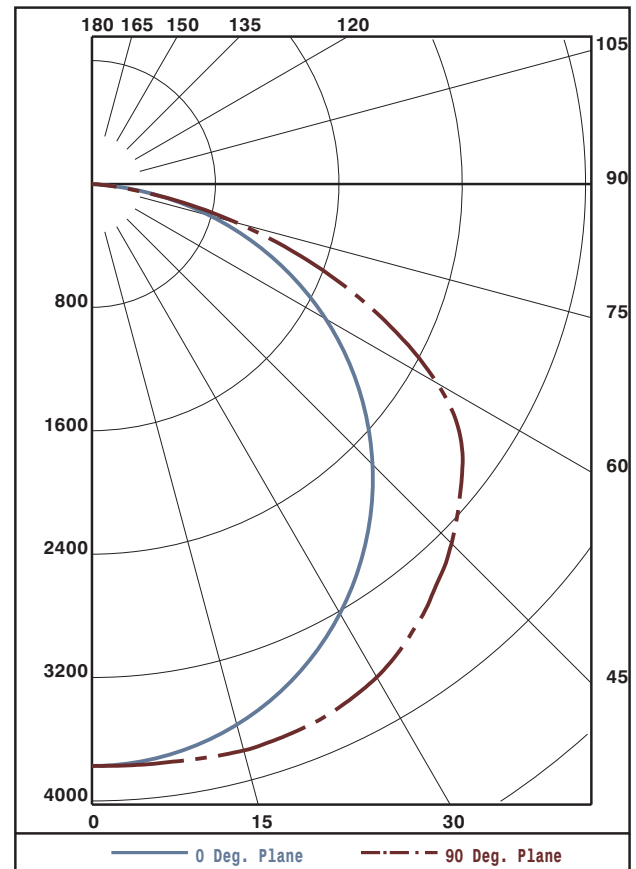
#13231

CANDELA DISTRIBUTION						FLUX
	0.0	22.5	45.0	67.5	90.0	
0	3774	3774	3774	3774	3774	
5	3756	3768	3767	3775	3779	359
15	3628	3670	3720	3779	3802	1053
25	3381	3464	3603	3716	3756	1657
35	3023	3179	3387	3537	3585	2100
45	2571	2796	3047	3228	3296	2319
55	2040	2336	2601	2841	2924	2292
65	1443	1754	2082	2114	2092	1902
75	789	1139	1124	1013	974	1094
85	136	295	147	90	83	217
90	0	57	15	5	4	
95	0	26	0	0	0	8
105	0	0	0	0	0	0
115	0	0	0	0	0	0
125	0	0	0	0	0	0
135	0	0	0	0	0	0
145	0	0	0	0	0	0
155	0	0	0	0	0	0
165	0	0	0	0	0	0
175	0	0	0	0	0	0
180	0	0	0	0	0	0



ZONAL LUMEN SUMMARY			
ZONE	LUMENS	% LAMP	% FIXT
0- 30	3069	19.2	23.6
0- 40	5170	32.3	39.8
0- 60	9780	61.1	75.2
0- 90	12994	81.2	99.9
90-120	8	0.1	0.1
90-130	8	0.1	0.1
90-150	8	0.1	0.1
90-180	8	0.1	0.1
0-180	13002	81.3	100.0

TOTAL LUMINAIRE EFFICIENCY: 81.3%  
TOTAL REFLECTANCE OF PAINT: 82.9%  
CIE TYPE: DIRECT  
PLANE: 0-DEG 90-DEG  
SPACING CRITERIA: 1.3 1.5



Approved By: MG



LUMINAIRE TESTING LABORATORY, INC.

SUSTAINING MEMBER of the IESNA

905 Harrison Street · Allentown, PA 18103 · 610-770-1044 · Fax 610-770-8912 · www.LuminaireTesting.com

LTL NUMBER: 13231
PREPARED FOR: EB FLUORESCENT COMPANY, INC.

DATE: 09-12-2008

COEFFICIENTS OF UTILIZATION - ZONAL CAVITY METHOD
EFFECTIVE FLOOR CAVITY REFLECTANCE 0.20

Table with 17 columns (RC, RW, and 15 numerical values) and 11 rows (0-10).

PLANE: 0-DEG 90-DEG
LUMINOUS LENGTH: 96.000 12.250
HEIGHT OF SIDE: 2.625 0.000

Table with 4 columns (ANGLE IN DEG, AVERAGE 0-DEG, AVERAGE 45-DEG, AVERAGE 90-DEG) and 6 rows (0, 45, 55, 65, 75, 85).



LUMINAIRE TESTING LABORATORY, INC.

SUSTAINING MEMBER of the IESNA

905 Harrison Street · Allentown, PA 18103 · 610-770-1044 · Fax 610-770-8912 · www.LuminaireTesting.com

LTL NUMBER: 13231
PREPARED FOR: EB FLUORESCENT COMPANY, INC.

DATE: 09-12-2008

CANDELA DISTRIBUTION

Table with 6 columns representing candela values at intervals of 5 units from 0.0 to 180.0.

ZONAL LUMEN SUMMARY

Table with 2 columns representing zonal lumen values for intervals from 0-5 to 175-180.

THIS TEST WAS CONDUCTED USING RELATIVE PHOTOMETRY TECHNIQUES ACCORDING TO STANDARD IESNA PROCEDURES. THE USER MUST THEREFORE USE CAUTION IN THE FOLLOWING SITUATIONS: 1) THIS TEST WAS PERFORMED USING A SPECIFIC BALLAST/LAMP COMBINATION. EXTRAPOLATION OF THESE DATA FOR OTHER BALLAST/LAMP COMBINATIONS MAY PRODUCE ERRONEOUS RESULTS. 2) ACCORDING TO IESNA PROCEDURES, THE BALLAST(S) AND LAMP(S) ARE PRESUMED TO PRODUCE 100% OF RATED OUTPUT. AN APPROPRIATE BALLAST FACTOR MUST BE APPLIED TO THE LUMEN OUTPUT RATINGS AND LUMINOUS INTENSITY VALUES GIVEN. 3) THIS TEST WAS CONDUCTED IN A CONTROLLED LABORATORY ENVIRONMENT WHERE THE AMBIENT TEMPERATURE WAS HELD AT 25°C ±1°C. FIELD PERFORMANCE MAY DIFFER PARTICULARLY IN REGARDS TO CHANGE IN LUMINOUS OUTPUT AS A RESULT OF DIFFERENCE IN AMBIENT TEMPERATURE AND METHOD OF MOUNTING THE LUMINAIRE.