



LUMINAIRE TESTING LABORATORY, INC.

SUSTAINING MEMBER of the IESNA

905 Harrison Street · Allentown, PA 18103 · 610-770-1044 · Fax 610-770-8912 · www.LuminaireTesting.com

LTL NUMBER: 13230

DATE: 09-12-2008

PREPARED FOR: EB FLUORESCENT COMPANY, INC.

CATALOG NUMBER: IN2/48C WHITE

LUMINAIRE: FORMED WHITE ENAMEL STEEL HOUSING, FORMED WHITE ENAMEL STEEL REFLECTOR, NO ENCLOSURE.

LAMPS: TWO 60 WATT T12 HIGH OUTPUT LINEAR FLUORESCENT LAMPS RATED AT 4050 LUMENS EACH.

LAMP CATALOG NUMBER: PHILIPS F48T12/CW/HO/ALTO

BALLAST: ONE KEYSTONE TECHNOLOGIES KTEB-2110-1-TP-PIC

MOUNTING: PENDANT

TOTAL INPUT WATTS =111.2 AT 120.0 VOLTS

THE 0 DEGREE PLANE IS PARALLEL WITH THE LAMPS.

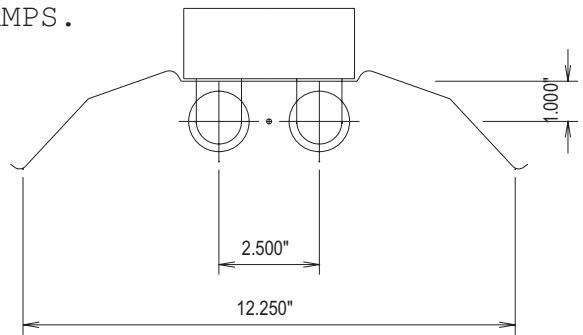
#13230

CANDELA DISTRIBUTION

	0.0	22.5	45.0	67.5	90.0
0	1911	1911	1911	1911	1911
5	1902	1908	1907	1911	1913
15	1837	1858	1883	1913	1925
25	1712	1754	1824	1881	1901
35	1531	1609	1715	1791	1815
45	1302	1415	1543	1634	1669
55	1033	1183	1317	1439	1480
65	730	888	1054	1070	1059
75	399	577	569	513	493
85	69	149	74	46	42
90	0	29	7	3	2
95	0	13	0	0	0
105	0	0	0	0	0
115	0	0	0	0	0
125	0	0	0	0	0
135	0	0	0	0	0
145	0	0	0	0	0
155	0	0	0	0	0
165	0	0	0	0	0
175	0	0	0	0	0
180	0	0	0	0	0

FLUX

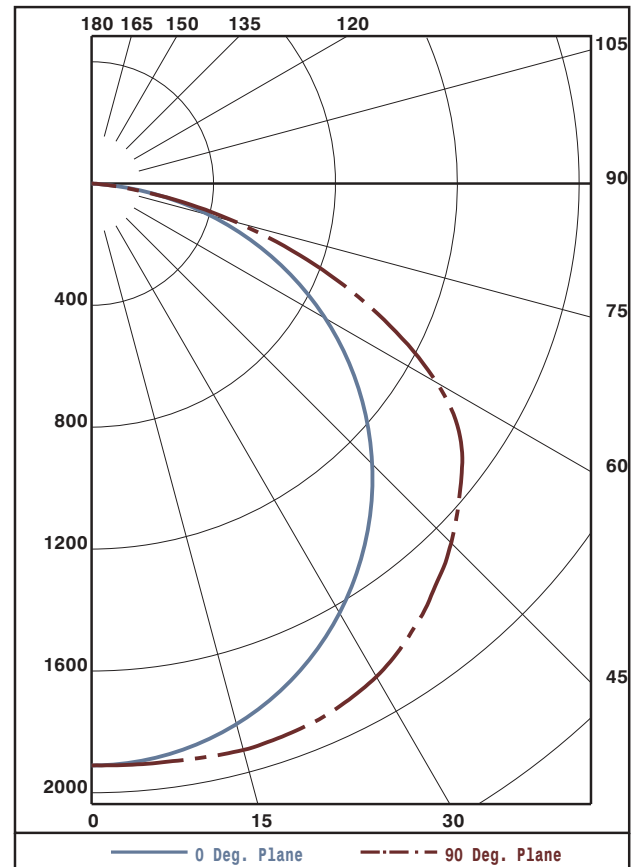
182
533
839
1063
1174
1160
963
554
110



ZONAL LUMEN SUMMARY

ZONE	LUMENS	%LAMP	%FIXT
0- 30	1554	19.2	23.6
0- 40	2617	32.3	39.8
0- 60	4951	61.1	75.2
0- 90	6578	81.2	99.9
90-120	4	0.1	0.1
90-130	4	0.1	0.1
90-150	4	0.1	0.1
90-180	4	0.1	0.1
0-180	6582	81.3	100.0

TOTAL LUMINAIRE EFFICIENCY: 81.3%
TOTAL REFLECTANCE OF PAINT: 82.9%
CIE TYPE: DIRECT
PLANE: 0-DEG 90-DEG
SPACING CRITERIA: 1.3 1.5



Approved By: MG



LUMINAIRE TESTING LABORATORY, INC.

SUSTAINING MEMBER of the IESNA

905 Harrison Street · Allentown, PA 18103 · 610-770-1044 · Fax 610-770-8912 · www.LuminaireTesting.com

LTL NUMBER: 13230

DATE: 09-12-2008

PREPARED FOR: EB FLUORESCENT COMPANY, INC.

COEFFICIENTS OF UTILIZATION - ZONAL CAVITY METHOD
EFFECTIVE FLOOR CAVITY REFLECTANCE 0.20

Table with 18 columns (RC, RW, 80, 70, 50, 30, 10, 0) and 11 rows (0-10) showing utilization coefficients.

PLANE: 0-DEG 90-DEG
LUMINOUS LENGTH: 48.000 12.250
HEIGHT OF SIDE: 2.625 0.000

Table with 4 columns (ANGLE IN DEG, AVERAGE 0-DEG, AVERAGE 45-DEG, AVERAGE 90-DEG) and 6 rows (0, 45, 55, 65, 75, 85) showing luminance values.



LUMINAIRE TESTING LABORATORY, INC.

SUSTAINING MEMBER of the IESNA

905 Harrison Street · Allentown, PA 18103 · 610-770-1044 · Fax 610-770-8912 · www.LuminaireTesting.com

LTL NUMBER: 13230
PREPARED FOR: EB FLUORESCENT COMPANY, INC.

DATE: 09-12-2008

CANDELA DISTRIBUTION

Table with 6 columns representing candela values at various angles (0.0, 22.5, 45.0, 67.5, 90.0) for angles from 0 to 180 degrees.

ZONAL LUMEN SUMMARY

Table with 2 columns representing lumen values for various zones (0-5, 5-10, 10-15, etc.) up to 175-180 degrees.

THIS TEST WAS CONDUCTED USING RELATIVE PHOTOMETRY TECHNIQUES ACCORDING TO STANDARD IESNA PROCEDURES. THE USER MUST THEREFORE USE CAUTION IN THE FOLLOWING SITUATIONS: 1) THIS TEST WAS PERFORMED USING A SPECIFIC BALLAST/LAMP COMBINATION. EXTRAPOLATION OF THESE DATA FOR OTHER BALLAST/LAMP COMBINATIONS MAY PRODUCE ERRONEOUS RESULTS. 2) ACCORDING TO IESNA PROCEDURES, THE BALLAST(S) AND LAMP(S) ARE PRESUMED TO PRODUCE 100% OF RATED OUTPUT. AN APPROPRIATE BALLAST FACTOR MUST BE APPLIED TO THE LUMEN OUTPUT RATINGS AND LUMINOUS INTENSITY VALUES GIVEN. 3) THIS TEST WAS CONDUCTED IN A CONTROLLED LABORATORY ENVIRONMENT WHERE THE AMBIENT TEMPERATURE WAS HELD AT 25°C ±1°C. FIELD PERFORMANCE MAY DIFFER PARTICULARLY IN REGARDS TO CHANGE IN LUMINOUS OUTPUT AS A RESULT OF DIFFERENCE IN AMBIENT TEMPERATURE AND METHOD OF MOUNTING THE LUMINAIRE.