



# LUMINAIRE TESTING LABORATORY, INC.

SUSTAINING MEMBER of the IESNA

905 Harrison Street · Allentown, PA 18103 · 610-770-1044 · Fax 610-770-8912 · www.LuminaireTesting.com

LTL NUMBER: 13208

DATE: 10-03-2008

PREPARED FOR: EB FLUORESCENT COMPANY, INC.

CATALOG NUMBER: CT 3/54

LUMINAIRE: MOLDED PLASTIC HOUSING, FORMED WHITE ENAMEL STEEL REFLECTOR, CLEAR LINEAR PRISMATIC PLASTIC LENS.

LAMPS: THREE 54 WATT HIGH OUTPUT T5 LINEAR FLUORESCENT LAMPS RATED AT 4400 LUMENS EACH.

LAMP CATALOG NUMBER: PHILIPS F54T5/841/HO/ALTO

BALLAST: ONE WORKHORSE WH7-120-L

MOUNTING: SURFACE/PENDANT

TOTAL INPUT WATTS =139.4 AT 120.0 VOLTS  
THE 0 DEGREE PLANE IS PARALLEL WITH THE LAMPS.

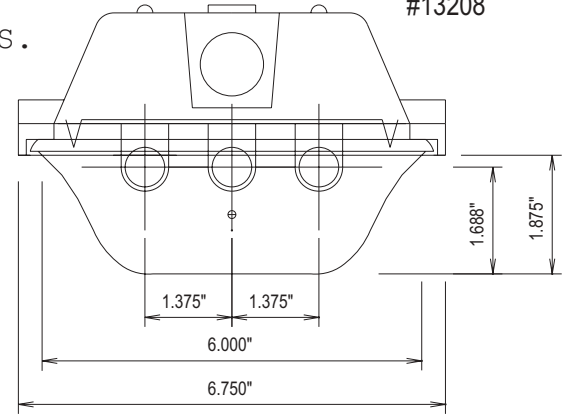
#13208

### CANDELA DISTRIBUTION

	0.0	22.5	45.0	67.5	90.0
0	2360	2360	2360	2360	2360
5	2345	2367	2374	2385	2390
15	2250	2312	2400	2448	2461
25	2074	2192	2314	2392	2424
35	1821	1946	2148	2446	2541
45	1498	1661	2102	2087	2104
55	1107	1388	1564	1624	1644
65	682	951	1062	1296	1409
75	283	468	820	1024	1108
85	48	252	510	734	825
90	13	153	383	610	694
95	15	95	319	507	559
105	12	40	181	277	305
115	2	0	76	135	157
125	0	0	4	62	80
135	0	0	0	0	5
145	0	0	0	0	0
155	0	0	0	0	0
165	0	0	0	0	0
175	0	0	0	0	0
180	0	0	0	0	0

### FLUX

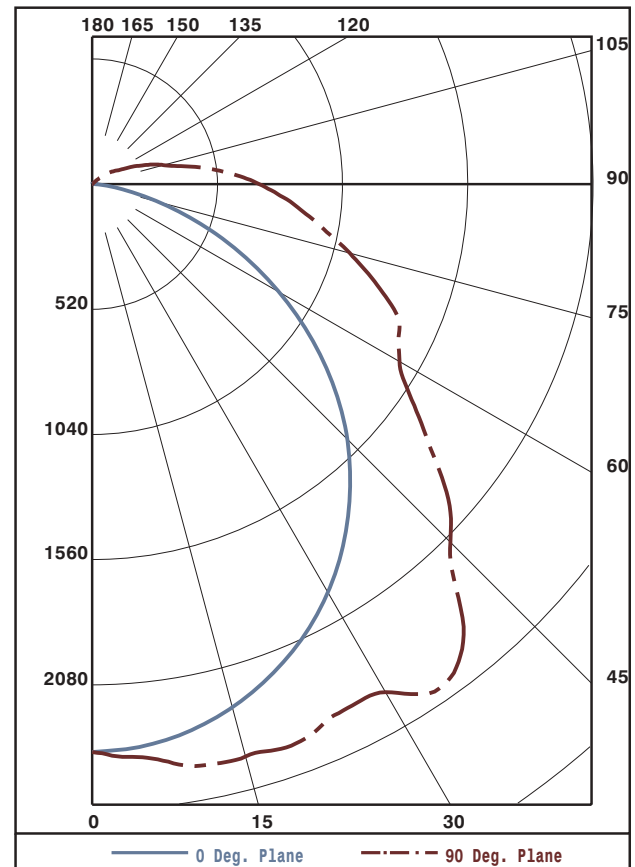
227
673
1057
1361
1477
1334
1082
797
528
329
175
75
24
2
0
0
0
0
0
0



### ZONAL LUMEN SUMMARY

ZONE	LUMENS	%LAMP	%FIXT
0- 30	1957	14.8	21.4
0- 40	3318	25.1	36.3
0- 60	6129	46.4	67.1
0- 90	8536	64.7	93.4
90-120	579	4.4	6.3
90-130	603	4.6	6.6
90-150	604	4.6	6.6
90-180	604	4.6	6.6
0-180	9141	69.2	100.0

TOTAL LUMINAIRE EFFICIENCY: 69.2%  
TOTAL REFLECTANCE OF PAINT: 87.2%  
CIE TYPE: DIRECT  
PLANE: 0-DEG 90-DEG  
SPACING CRITERIA: 1.2 1.6



Approved By: MG



LUMINAIRE TESTING LABORATORY, INC.

SUSTAINING MEMBER of the IESNA

905 Harrison Street · Allentown, PA 18103 · 610-770-1044 · Fax 610-770-8912 · www.LuminaireTesting.com

LTL NUMBER: 13208

DATE: 10-03-2008

PREPARED FOR: EB FLUORESCENT COMPANY, INC.

COEFFICIENTS OF UTILIZATION - ZONAL CAVITY METHOD
EFFECTIVE FLOOR CAVITY REFLECTANCE 0.20

Table with 17 columns (RC, RW, 80, 70, 50, 30, 10, 0) and 11 rows (0-10) showing utilization coefficients.

PLANE: 0-DEG 90-DEG
LUMINOUS LENGTH: 50.250 6.000
HEIGHT OF SIDE: 1.875 1.875

Table with 4 columns (ANGLE IN DEG, AVERAGE 0-DEG, AVERAGE 45-DEG, AVERAGE 90-DEG) and 6 rows (0, 45, 55, 65, 75, 85) showing luminance values.



LUMINAIRE TESTING LABORATORY, INC.

SUSTAINING MEMBER of the IESNA

905 Harrison Street · Allentown, PA 18103 · 610-770-1044 · Fax 610-770-8912 · www.LuminaireTesting.com

LTL NUMBER: 13208
PREPARED FOR: EB FLUORESCENT COMPANY, INC.

DATE: 10-03-2008

CANDELA DISTRIBUTION

Table with 6 columns of candela values for various angles from 0 to 180 degrees.

ZONAL LUMEN SUMMARY

Table with 2 columns showing lumen values for various angular zones from 0-5 to 175-180 degrees.

THIS TEST WAS CONDUCTED USING RELATIVE PHOTOMETRY TECHNIQUES ACCORDING TO STANDARD IESNA PROCEDURES. THE USER MUST THEREFORE USE CAUTION IN THE FOLLOWING SITUATIONS: 1) THIS TEST WAS PERFORMED USING A SPECIFIC BALLAST/LAMP COMBINATION. EXTRAPOLATION OF THESE DATA FOR OTHER BALLAST/LAMP COMBINATIONS MAY PRODUCE ERRONEOUS RESULTS. 2) ACCORDING TO IESNA PROCEDURES, THE BALLAST(S) AND LAMP(S) ARE PRESUMED TO PRODUCE 100% OF RATED OUTPUT. AN APPROPRIATE BALLAST FACTOR MUST BE APPLIED TO THE LUMEN OUTPUT RATINGS AND LUMINOUS INTENSITY VALUES GIVEN. 3) THIS TEST WAS CONDUCTED IN A CONTROLLED LABORATORY ENVIRONMENT WHERE THE AMBIENT TEMPERATURE WAS HELD AT 25°C ±1°C. FIELD PERFORMANCE MAY DIFFER PARTICULARLY IN REGARDS TO CHANGE IN LUMINOUS OUTPUT AS A RESULT OF DIFFERENCE IN AMBIENT TEMPERATURE AND METHOD OF MOUNTING THE LUMINAIRE.