



LUMINAIRE TESTING LABORATORY, INC.

SUSTAINING
MEMBER
of the
IESNA

905 Harrison Street · Allentown, PA 18103 · 610-770-1044 · Fax 610-770-8912 · www.LuminaireTesting.com

LTL NUMBER: 13210

DATE: 11-05-2008

PREPARED FOR: EB FLUORESCENT COMPANY, INC.

CATALOG NUMBER: CT 2/54 TAN

LUMINAIRE: MOLDED PLASTIC HOUSING, FORMED WHITE ENAMEL STEEL REFLECTOR,
CLEAR LINEAR PRISMATIC PLASTIC LENS.

LAMPS: TWO 54 WATT HIGH OUTPUT T5 LINEAR FLUORESCENT LAMPS RATED AT
4400 LUMENS EACH.

LAMP CATALOG NUMBER: PHILIPS F54T5/841/HO/ALTO

BALLAST: ONE KEYSTONE TECHNOLOGIES KTEB-254HO-UV-TP-PS/LS

MOUNTING: SURFACE/PENDANT

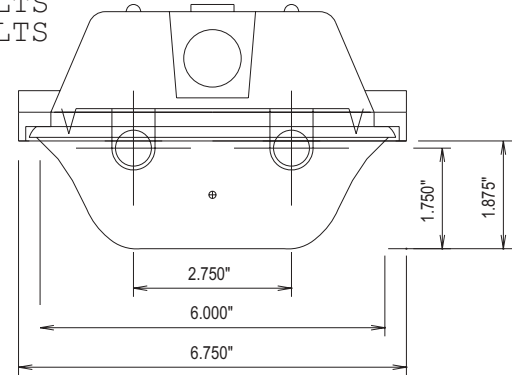
NOTE: THIS TEST REPORT WAS PRORATED TO A FOUR LAMP, EIGHT FOOT

LUMINAIRE TEST USING MEASURED DATA FROM LTL TEST NUMBER 13207. #13210

TOTAL AS TESTED INPUT WATTS = 102.5 AT 120.0 VOLTS

TOTAL PRORATED INPUT WATTS = 205.0 AT 120.0 VOLTS

THE 0 DEGREE PLANE IS PARALLEL WITH THE LAMPS.



CANDELA DISTRIBUTION

	0.0	22.5	45.0	67.5	90.0
0	2714	2714	2714	2714	2714
5	2704	2709	2719	2733	2741
15	2599	2652	2833	2970	2987
25	2400	2566	2829	3028	3078
35	2115	2347	2707	3014	3189
45	1776	2057	2650	2897	2893
55	1341	1681	2157	2182	2238
65	819	1280	1516	1752	1886
75	332	674	1094	1500	1659
85	55	378	815	1130	1270
90	11	235	543	883	1008
95	16	137	443	754	854
105	14	57	259	418	469
115	3	2	108	206	234
125	0	0	7	79	110
135	0	0	0	0	8
145	0	0	0	0	0
155	0	0	0	0	0
165	0	0	0	0	0
175	0	0	0	0	0
180	0	0	0	0	0

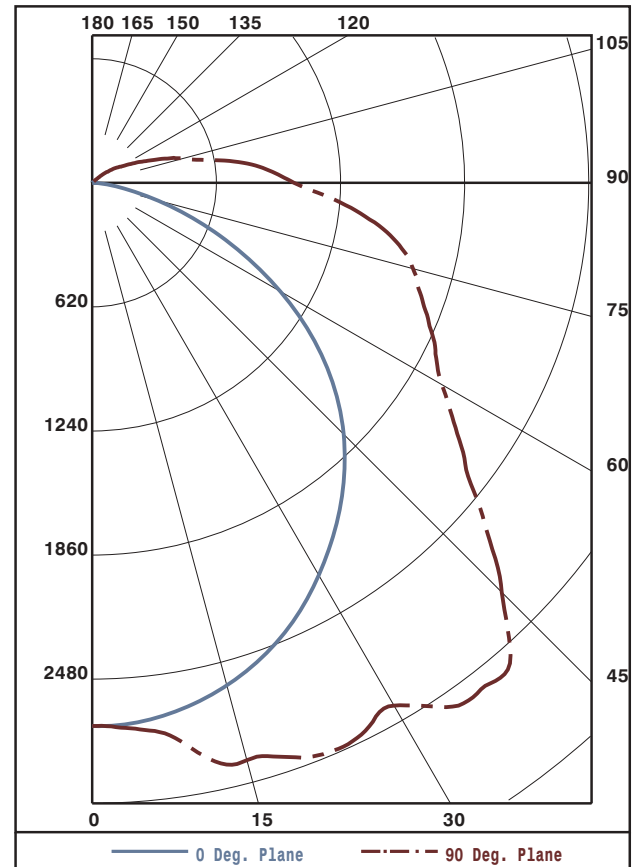
FLUX

260
795
1288
1677
1910
1753
1459
1135
806
479
259
109
33
2
0
0
0
0
0

ZONAL LUMEN SUMMARY

ZONE	LUMENS	%LAMP	%FIXT
0- 30	2342	13.3	19.6
0- 40	4019	22.8	33.6
0- 60	7682	43.6	64.2
0- 90	11082	63.0	92.6
90-120	847	4.8	7.1
90-130	880	5.0	7.4
90-150	882	5.0	7.4
90-180	882	5.0	7.4
0-180	11964	68.0	100.0

TOTAL LUMINAIRE EFFICIENCY: 68.0%
 TOTAL REFLECTANCE OF PAINT: 87.2%
 CIE TYPE: DIRECT
 PLANE: 0-DEG 90-DEG
 SPACING CRITERIA: 1.2 1.7



Approved By: MG



LUMINAIRE TESTING LABORATORY, INC.

SUSTAINING MEMBER of the IESNA

905 Harrison Street · Allentown, PA 18103 · 610-770-1044 · Fax 610-770-8912 · www.LuminaireTesting.com

LTL NUMBER: 13210

DATE: 11-05-2008

PREPARED FOR: EB FLUORESCENT COMPANY, INC.

COEFFICIENTS OF UTILIZATION - ZONAL CAVITY METHOD
EFFECTIVE FLOOR CAVITY REFLECTANCE 0.20

Table with 18 columns (RC, RW, and 16 numerical values) and 11 rows (0-10).

PLANE: 0-DEG 90-DEG
LUMINOUS LENGTH: 100.5 6.000
HEIGHT OF SIDE: 1.875 1.875

Table with 4 columns (ANGLE IN DEG, AVERAGE 0-DEG, AVERAGE 45-DEG, AVERAGE 90-DEG) and 6 rows (0, 45, 55, 65, 75, 85).



LUMINAIRE TESTING LABORATORY, INC.

SUSTAINING MEMBER of the IESNA

905 Harrison Street · Allentown, PA 18103 · 610-770-1044 · Fax 610-770-8912 · www.LuminaireTesting.com

LTL NUMBER: 13210
PREPARED FOR: EB FLUORESCENT COMPANY, INC.

DATE: 11-05-2008

CANDELA DISTRIBUTION

Table with 6 columns representing candela values at various angles (0.0, 22.5, 45.0, 67.5, 90.0) for beam widths from 0 to 180 degrees.

ZONAL LUMEN SUMMARY

Table with 2 columns representing beam width ranges (e.g., 0-5, 5-10) and their corresponding lumen values.

THIS TEST WAS CONDUCTED USING RELATIVE PHOTOMETRY TECHNIQUES ACCORDING TO STANDARD IESNA PROCEDURES. THE USER MUST THEREFORE USE CAUTION IN THE FOLLOWING SITUATIONS: 1) THIS TEST WAS PERFORMED USING A SPECIFIC BALLAST/LAMP COMBINATION. EXTRAPOLATION OF THESE DATA FOR OTHER BALLAST/LAMP COMBINATIONS MAY PRODUCE ERRONEOUS RESULTS. 2) ACCORDING TO IESNA PROCEDURES, THE BALLAST(S) AND LAMP(S) ARE PRESUMED TO PRODUCE 100% OF RATED OUTPUT. AN APPROPRIATE BALLAST FACTOR MUST BE APPLIED TO THE LUMEN OUTPUT RATINGS AND LUMINOUS INTENSITY VALUES GIVEN. 3) THIS TEST WAS CONDUCTED IN A CONTROLLED LABORATORY ENVIRONMENT WHERE THE AMBIENT TEMPERATURE WAS HELD AT 25°C ±1°C. FIELD PERFORMANCE MAY DIFFER PARTICULARLY IN REGARDS TO CHANGE IN LUMINOUS OUTPUT AS A RESULT OF DIFFERENCE IN AMBIENT TEMPERATURE AND METHOD OF MOUNTING THE LUMINAIRE.