



LUMINAIRE TESTING LABORATORY, INC.

SUSTAINING
MEMBER
of the
IESNA

905 Harrison Street · Allentown, PA 18103 · 610-770-1044 · Fax 610-770-8912 · www.LuminaireTesting.com

LTL NUMBER: 13207

DATE: 10-03-2008

PREPARED FOR: EB FLUORESCENT COMPANY, INC.

CATALOG NUMBER: CT 2/54

LUMINAIRE: MOLDED PLASTIC HOUSING, FORMED WHITE ENAMEL STEEL REFLECTOR,
CLEAR LINEAR PRISMATIC PLASTIC LENS.

LAMPS: TWO 54 WATT HIGH OUTPUT T5 LINEAR FLUORESCENT LAMPS RATED AT
4400 LUMENS EACH.

LAMP CATALOG NUMBER: PHILIPS F54T5/841/HO/ALTO

BALLAST: ONE KEYSTONE TECHNOLOGIES KTEB-254HO-UV-TP-PS/LS

MOUNTING: SURFACE/PENDANT

#13207

TOTAL INPUT WATTS =102.5 AT 120.0 VOLTS

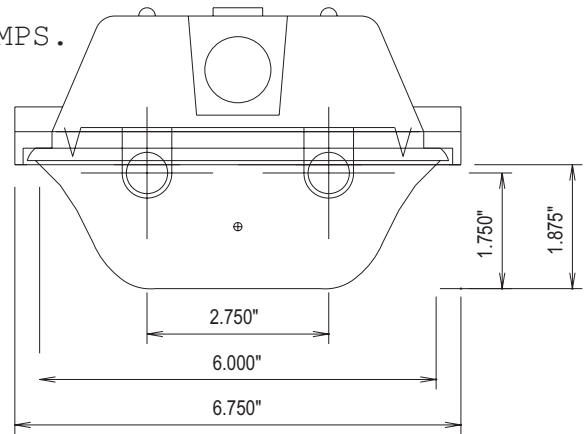
THE 0 DEGREE PLANE IS PARALLEL WITH THE LAMPS.

CANDELA DISTRIBUTION

	0.0	22.5	45.0	67.5	90.0
0	1357	1357	1357	1357	1357
5	1352	1355	1359	1367	1371
15	1300	1326	1417	1485	1493
25	1200	1283	1415	1514	1539
35	1057	1173	1353	1507	1594
45	888	1029	1325	1449	1447
55	670	841	1078	1091	1119
65	409	640	758	876	943
75	166	337	547	750	829
85	28	189	407	565	635
90	6	118	272	442	504
95	8	68	221	377	427
105	7	29	130	209	234
115	1	1	54	103	117
125	0	0	3	40	55
135	0	0	0	0	4
145	0	0	0	0	0
155	0	0	0	0	0
165	0	0	0	0	0
175	0	0	0	0	0
180	0	0	0	0	0

FLUX

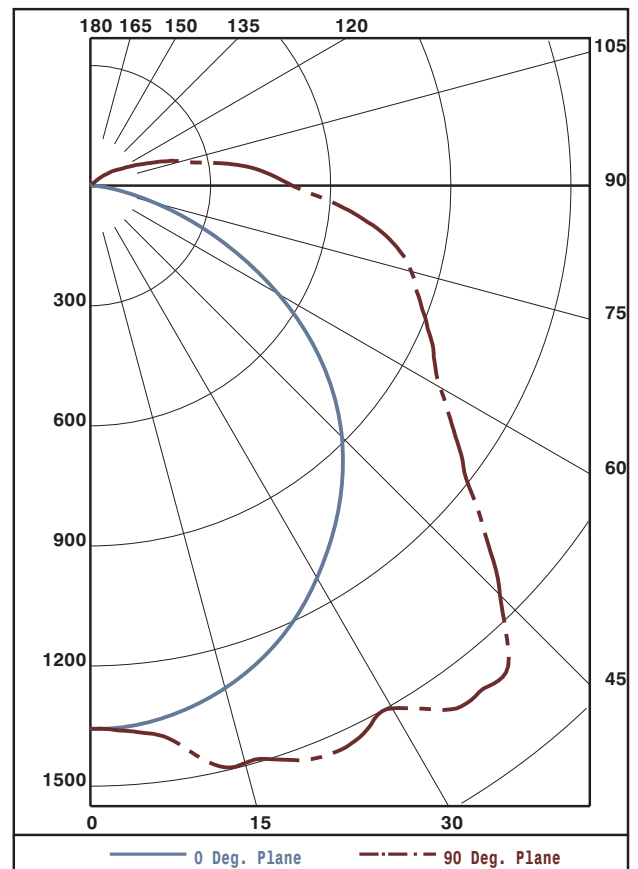
130
397
644
838
955
877
729
567
403



ZONAL LUMEN SUMMARY

ZONE	LUMEN	SUMMARY LUMENS	%LAMP	%FIXT
0- 30	1171		13.3	19.6
0- 40	2010		22.8	33.6
0- 60	3841		43.6	64.2
0- 90	5541		63.0	92.6
90-120	423		4.8	7.1
90-130	440		5.0	7.3
90-150	440		5.0	7.4
90-180	440		5.0	7.4
0-180	5981		68.0	100.0

TOTAL LUMINAIRE EFFICIENCY: 68.0%
 TOTAL REFLECTANCE OF PAINT: 87.2%
 CIE TYPE: DIRECT
 PLANE: 0-DEG 90-DEG
 SPACING CRITERIA: 1.2 1.7



Approved By: MG



LUMINAIRE TESTING LABORATORY, INC.

SUSTAINING MEMBER of the IESNA

905 Harrison Street · Allentown, PA 18103 · 610-770-1044 · Fax 610-770-8912 · www.LuminaireTesting.com

LTL NUMBER: 13207

DATE: 10-03-2008

PREPARED FOR: EB FLUORESCENT COMPANY, INC.

COEFFICIENTS OF UTILIZATION - ZONAL CAVITY METHOD
EFFECTIVE FLOOR CAVITY REFLECTANCE 0.20

Table with 17 columns (RC, RW, and 15 numerical values) and 11 rows (0-10).

PLANE: 0-DEG 90-DEG
LUMINOUS LENGTH: 50.250 6.000
HEIGHT OF SIDE: 1.875 1.875

Table with 4 columns (ANGLE IN DEG, AVERAGE 0-DEG, AVERAGE 45-DEG, AVERAGE 90-DEG) and 6 rows (0, 45, 55, 65, 75, 85).



LUMINAIRE TESTING LABORATORY, INC.

SUSTAINING MEMBER of the IESNA

905 Harrison Street · Allentown, PA 18103 · 610-770-1044 · Fax 610-770-8912 · www.LuminaireTesting.com

LTL NUMBER: 13207
PREPARED FOR: EB FLUORESCENT COMPANY, INC.

DATE: 10-03-2008

CANDELA DISTRIBUTION

Table with 6 columns representing candela values at various angles (0.0, 22.5, 45.0, 67.5, 90.0) for beam diameters from 0 to 180.

ZONAL LUMEN SUMMARY

Table with 2 columns representing beam diameter ranges (e.g., 0-5, 5-10) and their corresponding lumen values.

THIS TEST WAS CONDUCTED USING RELATIVE PHOTOMETRY TECHNIQUES ACCORDING TO STANDARD IESNA PROCEDURES. THE USER MUST THEREFORE USE CAUTION IN THE FOLLOWING SITUATIONS: 1) THIS TEST WAS PERFORMED USING A SPECIFIC BALLAST/LAMP COMBINATION. EXTRAPOLATION OF THESE DATA FOR OTHER BALLAST/LAMP COMBINATIONS MAY PRODUCE ERRONEOUS RESULTS. 2) ACCORDING TO IESNA PROCEDURES, THE BALLAST(S) AND LAMP(S) ARE PRESUMED TO PRODUCE 100% OF RATED OUTPUT. AN APPROPRIATE BALLAST FACTOR MUST BE APPLIED TO THE LUMEN OUTPUT RATINGS AND LUMINOUS INTENSITY VALUES GIVEN. 3) THIS TEST WAS CONDUCTED IN A CONTROLLED LABORATORY ENVIRONMENT WHERE THE AMBIENT TEMPERATURE WAS HELD AT 25°C ±1°C. FIELD PERFORMANCE MAY DIFFER PARTICULARLY IN REGARDS TO CHANGE IN LUMINOUS OUTPUT AS A RESULT OF DIFFERENCE IN AMBIENT TEMPERATURE AND METHOD OF MOUNTING THE LUMINAIRE.