



# LUMINAIRE TESTING LABORATORY, INC.

SUSTAINING MEMBER  
of the  
IESNA

905 Harrison Street · Allentown, PA 18103 · 610-770-1044 · Fax 610-770-8912 · www.LuminaireTesting.com

LTL NUMBER: 13193

DATE: 08-12-2008

PREPARED FOR: EB FLUORESCENT COMPANY, INC.

CATALOG NUMBER: CH 2/32

LUMINAIRE: FORMED WHITE ENAMEL STEEL HOUSING/REFLECTOR, NO ENCLOSURE.

LAMPS: TWO 32 WATT T8 LINEAR FLUORESCENT LAMPS RATED AT 2850 LUMENS EACH.

LAMP CATALOG NUMBER: PHILIPS F32T8/TL841/ALTO

BALLAST: ONE ADVANCE ICN-2P32-SC

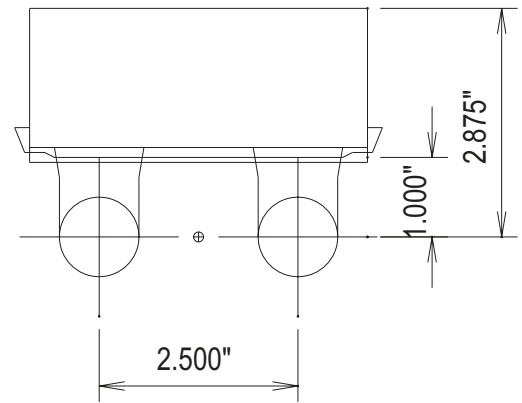
MOUNTING: SURFACE/PENDANT

TOTAL INPUT WATTS = 60.6 AT 120.0 VOLTS

THE 0 DEGREE PLANE IS PARALLEL WITH THE LAMPS.

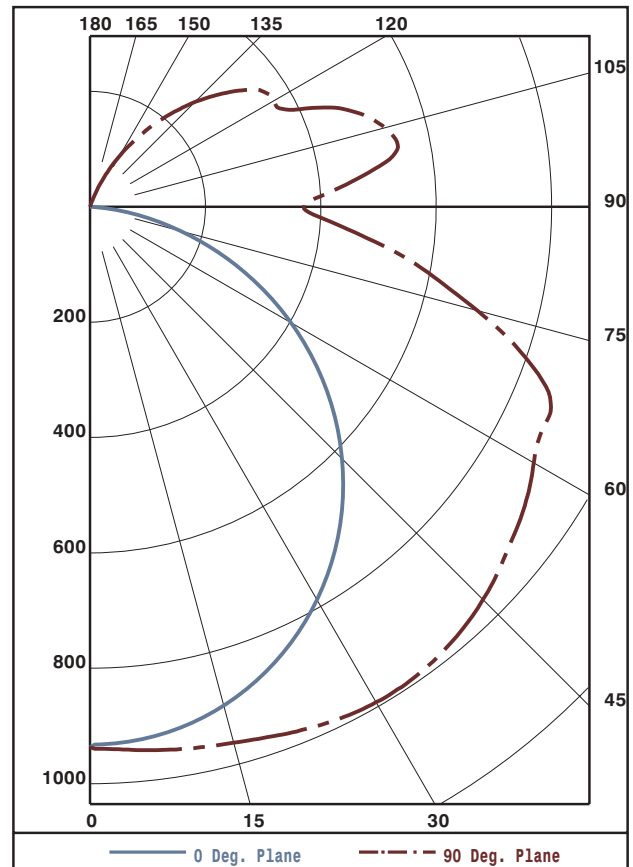
#13193

CANDELA DISTRIBUTION						FLUX
	0.0	22.5	45.0	67.5	90.0	
0	937	937	937	937	937	90
5	928	935	938	943	946	264
15	895	913	934	953	962	422
25	830	864	915	966	985	549
35	736	791	888	963	990	630
45	618	704	836	929	963	655
55	478	604	754	872	917	634
65	323	482	663	812	875	529
75	162	345	577	665	695	323
85	25	189	321	415	449	298
90	0	110	239	336	371	309
95	0	162	316	412	446	225
105	0	125	318	475	529	164
115	0	85	257	346	400	95
125	0	46	197	312	354	41
135	0	11	126	220	256	9
145	0	0	57	125	151	0
155	0	0	6	37	54	0
165	0	0	0	0	0	0
175	0	0	0	0	0	0
180	0	0	0	0	0	0



ZONAL ZONE	LUMEN LUMENS	SUMMARY %LAMP	%FIXT
0- 30	776	13.6	14.8
0- 40	1325	23.2	25.3
0- 60	2610	45.8	49.9
0- 90	4096	71.9	78.2
90-120	832	14.6	15.9
90-130	995	17.5	19.0
90-150	1131	19.8	21.6
90-180	1140	20.0	21.8
0-180	5236	91.9	100.0

TOTAL LUMINAIRE EFFICIENCY: 91.9%  
TOTAL REFLECTANCE OF PAINT: 78.6%  
CIE TYPE: SEMI-DIRECT  
PLANE: 0-DEG 90-DEG  
SPACING CRITERIA: 1.2 1.6



Approved By: MG



LUMINAIRE TESTING LABORATORY, INC.

SUSTAINING MEMBER of the IESNA

905 Harrison Street · Allentown, PA 18103 · 610-770-1044 · Fax 610-770-8912 · www.LuminaireTesting.com

LTL NUMBER: 13193

DATE: 08-12-2008

PREPARED FOR: EB FLUORESCENT COMPANY, INC.

COEFFICIENTS OF UTILIZATION - ZONAL CAVITY METHOD
EFFECTIVE FLOOR CAVITY REFLECTANCE 0.20

Table with 14 columns (RC, RW, and 12 numerical values) and 11 rows (0-10).

PLANE: 0-DEG 90-DEG
LUMINOUS LENGTH: 48.000 4.250
HEIGHT OF SIDE: 1.500 1.500

Table with 4 columns (ANGLE IN DEG, AVERAGE 0-DEG, AVERAGE 45-DEG, AVERAGE 90-DEG) and 5 rows (0, 45, 55, 65, 75, 85).



LUMINAIRE TESTING LABORATORY, INC.

SUSTAINING MEMBER of the IESNA

905 Harrison Street · Allentown, PA 18103 · 610-770-1044 · Fax 610-770-8912 · www.LuminaireTesting.com

LTL NUMBER: 13193
PREPARED FOR: EB FLUORESCENT COMPANY, INC.

DATE: 08-12-2008

CANDELA DISTRIBUTION

Table with 6 columns of candela values for various angles from 0 to 180 degrees.

ZONAL LUMEN SUMMARY

Table with 3 columns showing lumen values for various angular zones from 0-5 to 175-180 degrees.

THIS TEST WAS CONDUCTED USING RELATIVE PHOTOMETRY TECHNIQUES ACCORDING TO STANDARD IESNA PROCEDURES. THE USER MUST THEREFORE USE CAUTION IN THE FOLLOWING SITUATIONS: 1) THIS TEST WAS PERFORMED USING A SPECIFIC BALLAST/LAMP COMBINATION. EXTRAPOLATION OF THESE DATA FOR OTHER BALLAST/LAMP COMBINATIONS MAY PRODUCE ERRONEOUS RESULTS. 2) ACCORDING TO IESNA PROCEDURES, THE BALLAST(S) AND LAMP(S) ARE PRESUMED TO PRODUCE 100% OF RATED OUTPUT. AN APPROPRIATE BALLAST FACTOR MUST BE APPLIED TO THE LUMEN OUTPUT RATINGS AND LUMINOUS INTENSITY VALUES GIVEN. 3) THIS TEST WAS CONDUCTED IN A CONTROLLED LABORATORY ENVIRONMENT WHERE THE AMBIENT TEMPERATURE WAS HELD AT 25°C ±1°C. FIELD PERFORMANCE MAY DIFFER PARTICULARLY IN REGARDS TO CHANGE IN LUMINOUS OUTPUT AS A RESULT OF DIFFERENCE IN AMBIENT TEMPERATURE AND METHOD OF MOUNTING THE LUMINAIRE.